

REFERENCE : KI0102

SIZES : U

COMPOSITION :

Main fabric : Polyester 600D PU backing -190 100%polyester

Fabric : Polyester Ripstop 300D PU backing - 190 For contrasted panel on front. 100%polyester

Fabric 1 : Polyester 210D PU backing - 75 For internal lining. 100% polyester

Fabric 2 : Polyester puffy mesh On back panel + back side of shoulder straps. 100%polyester

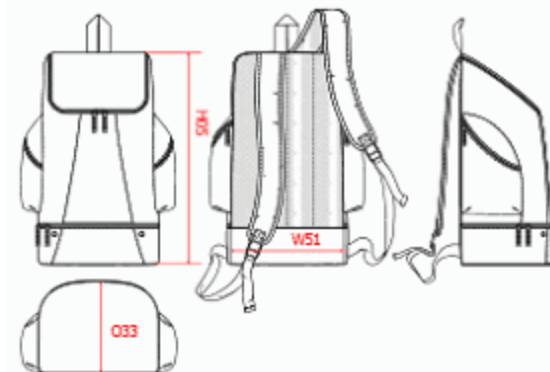
Padding : special PAD for shoulder & shoulder straps of backpacks 5mm thickness. On inside of: back panel + shoulder straps + bottom pocket. PE

FABRIC CONSTRUCTION AND FINISHING :

Polyester 600D PU backing

ARTICLE WEIGHT :

400 gr/pc



DESCRIPTION		COLORS	PANTONE SERIGRAPHIE
Français : Sac à dos sport		Black	Black
English : Gym backpack		Burnt lime / Black	583C / Black
Nederlands : Gym backpack		Petrol blue / Black	5405C / Black
Deutsch : Rucksack		Red / Black	1795C / Black
Español : Mochila deportiva		Royal blue / Light grey	287C / 2331C
Italiano : Zaino sportivo			
Português : Mochila			
MEASUREMENT			
Description	U		
H05 Hauteur totale / Total height	50		
W51 Total width	27		
O33 Deep of bottom part	21		
PACKING			
Box	20 pcs / box U => L:54cm W:40cm H:45cm GW:9kg NW:8kg		